

iM R 38/2V

Spiral kneading machine with raising head for
pizza, pastry and bakery



EXTERNAL CONSTRUCTION

- Structure in powder painted stainless steel.
- Spiral, basin, dough-breaker and safety grille in stainless steel.
- Thick frame to avoid vibrations in every working phase.
- Push-button panel on the right side.
- Machinery on rotating wheels.

INTERNAL CONSTRUCTION

- Motorization with bath oil motoreducer.
- Chain drive.
- Rotating transmission parts are assembled on self lubricating ball bearings.
- Electrical equipment with low-voltage auxiliary circuit.
- Safety device for grille and raising head.
- Basin presence sensor .
- Head check pivot pin.
- Disk for speedy locking and unhooking of basin.

OPERATION

- Dough homogeneity and oxygenation by the combined rotating movement of the utensil and basin.
- The shape of the spiral assures a low and constant temperature of dough during the working.
- Possibility to mix maximum 38 Kg in few minutes and different food products.
- Extractable basin for dough easy dough drawing and cleaning .

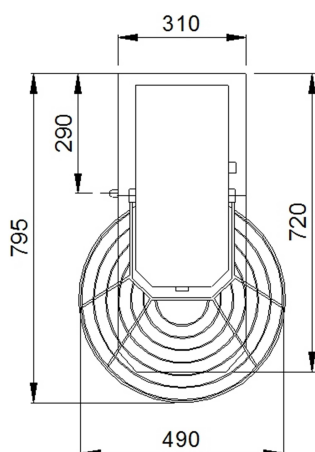
STANDARD EQUIPMENT

- Spiral
- Extractable Basin
- Dough-breaker
- Rotating wheels with brake
- Timer
- 2 speeds

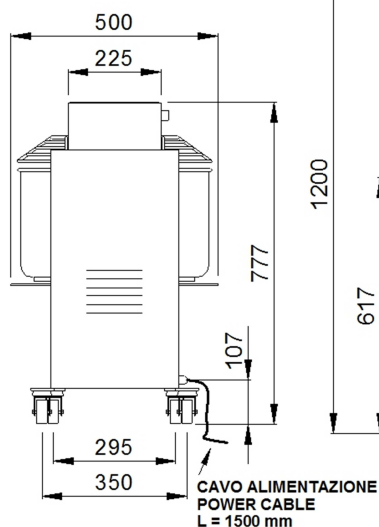


iM R 38/2V

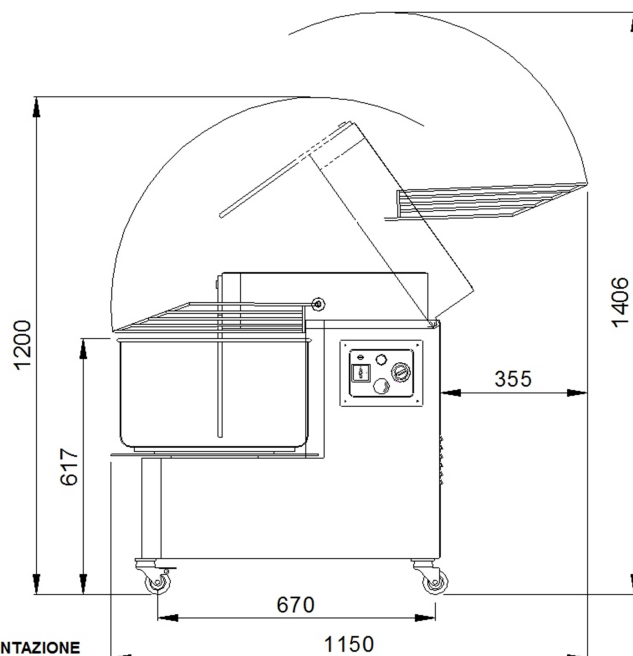
TOP VIEW



REAR VIEW



RIGHT SIDE VIEW



Note: The dimensions indicated in the views are in millimeters

SPECIFICATIONS

Spiral kneading with raising head, ideal for small spaces with rotating wheels. To the construction are used high quality and robustness materials. Thanks to the particular shape of spiral and to the rotating movement of the utensil combined with that of the basin, the spiral kneading, gives possibility to mix in few minutes 38 Kg dough, and assures very good homogeneity and oxygenation. The model assures constant temperature of the dough from beginning to end working, so eliminate the danger of incidental overheating. Extractable basis give possibility easy dough drawing and cleaning. The transmission system is particularly silent because all parts are assembled on waterthight ball bearings with bath oil motoreducer, free maintenance. The machinery is provided of two speeds motor, timer and of indispensable safety devices.

TECHNICAL FEATURES

DIMENSIONS

External height	777 mm
External depth	810 mm
External width	480 mm
Weight	130 kg

SHIPMENT INFORMATION

Packed machinery:	
Max height	840 mm
Max depth	830 mm
Max width	520 mm
Weight	(130+8)kg

FEEDING AND POWER

<i>Standard feeding</i>	
A.C. V400 3 Power 2v 1.5/2.2 kW	
Frequency	50 Hz

BASIN CAPACITY

Capacity (dough)	38 kg
Capacity (volume)	40 lt
Basin internal diameter	450 mm
Basin internal height	260 mm
Spiral diameter	22 mm

<i>Feeding on request</i>	
A.C. V230 3 Power 2v 1.5/2.2 kW	
Frequency	50 Hz
On request	frequency 60 Hz